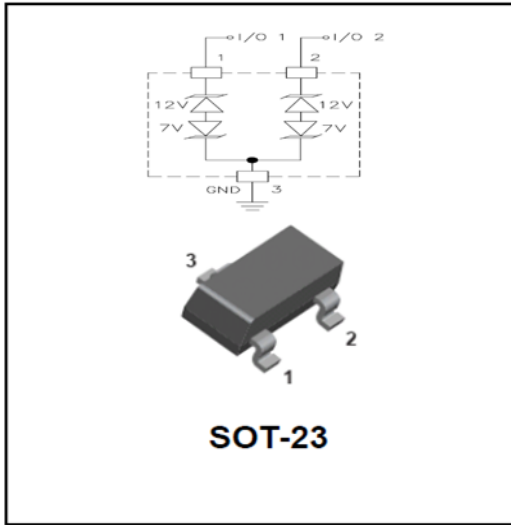
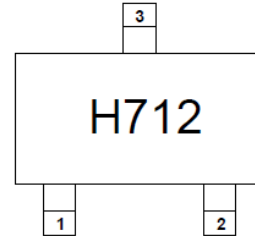


ESD Protection Diode



Features

- Low clamping voltage
- Low leakage
- Operating voltage: 7V or 12V
- Moisture Sensitivity: Level 1 per J-STD-020
- Marking:H712



Maximum Ratings

PARAMETER	SYMBOL	VALUE	UNIT	
Operating Junction	T_J	-55 to +125	°C	
Storage Temperature	T_{STG}	-55 to +150	°C	
IEC61000-4-2(ESD)Air	$V_{ESD}^{(1)}$	±30	KV	
IEC61000-4-2(ESD)Contact		±30	KV	
Peak Pulse Power	$P_{PP}^{(2)}$	600-1000	W	
Peak Pulse Current	$I_{PP}^{(2)}$	Pin 1 or 2 to Pin 3	30	A
		Pin 3 to Pin 1 or 2	38	

(1).Device stressed with ten non-repetitive ESD pulses.

(2).Non-repetitive current pulse 8/20μs exponential decay waveform according to IEC61000-4-5.



ASM712H

■Electrical Characteristics (T_a=25°C Unless otherwise specified)

PARAMETER	SYMBOL	UNIT	CONDITIONS		MIN	TYP	MAX
Reverse Standoff Voltage	V _{RWM} ⁽¹⁾	V	Pin 1 to Pin 3 and Pin2 to Pin 3				12
			Pin 3 to Pin 1 and Pin3 to Pin 2				7
Reverse Leakage Current	I _R	uA	Pin 1 to Pin 3 and Pin2 to Pin 3	VR = V _{RWM}			0.5
			Pin 3 to Pin 1 and Pin3 to Pin 2	VR = V _{RWM}			0.5
Breakdown Voltage	V _(BR)	V	Pin 1 to Pin 3 and Pin2 to Pin 3	IT = 1mA	13.3		
			Pin 3 to Pin 1 and Pin3 to Pin 2	IT = 1mA	7.5		
Clamping Voltage	V _C ⁽²⁾	V	Pin 1 to Pin 3 and Pin2 to Pin 3	I _{PP} = 1A(8/20μs pulse)			19
			Pin 3 to Pin 1 and Pin3 to Pin 2	I _{PP} = 1A(8/20μs pulse)			11
Clamping Voltage	V _C ⁽²⁾	V	Pin 1 to Pin 3 and Pin2 to Pin 3	I _{PP} = 30A(8/20μs pulse)			25
Clamping Voltage	V _C ⁽²⁾	V	Pin 3 to Pin 1 and Pin3 to Pin 2	I _{PP} = 38A(8/20μs pulse)			17
Junction Capacitance	C _J	pF	Pin 1 to Pin 3 and Pin2 to Pin 3	VR = 0V, f = 1MHz			75
			Pin 3 to Pin 1 and Pin3 to Pin 2	VR = 0V, f = 1MHz			75
Junction Capacitance	C _J	pF	Pin 1 to Pin 3 and Pin2 to Pin 3	VR = V _{RWM} , f = 1MHz			38
			Pin 3 to Pin 1 and Pin3 to Pin 2	VR = V _{RWM} , f = 1MHz			55

(1).Other voltages available upon request.

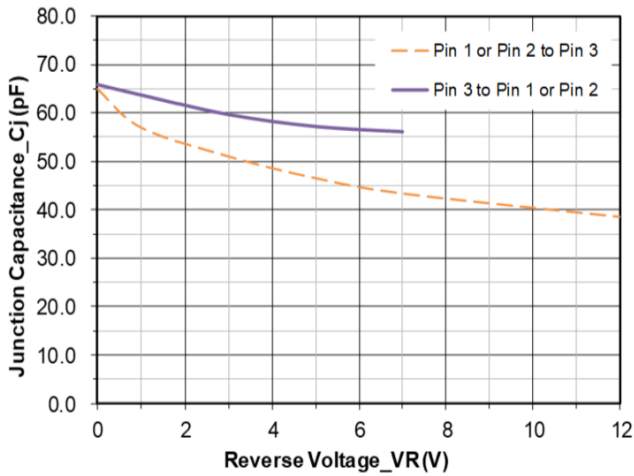
(2).Non-repetitive current pulse 8/20μs exponential decay waveform according to IEC61000-4-5

■Thermal Characteristics (T_a=25°C Unless otherwise specified)

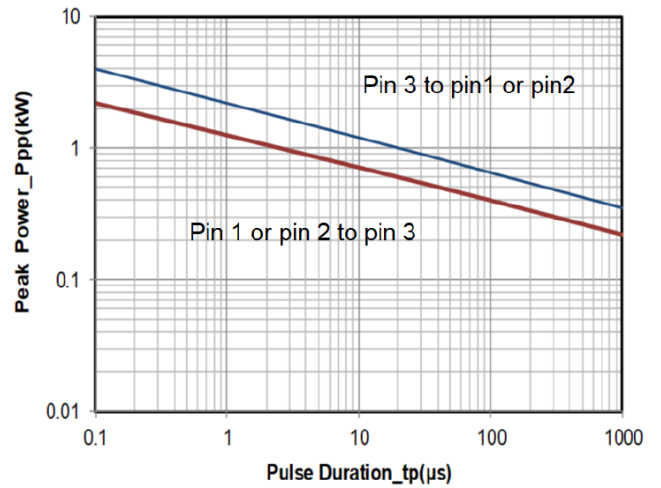
PARAMETER	SYMBOL	UNIT	ASM712H
Thermal Resistance(Typical)	R _{θJ-A}	°C/W	357
	R _{θJ-C}	°C/W	143



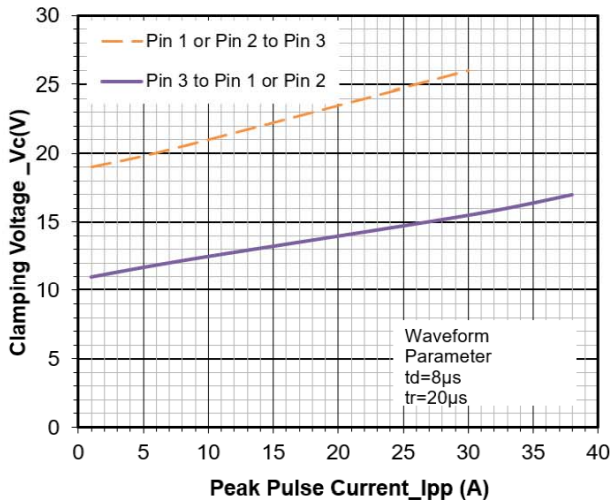
■ Characteristics (Typical)



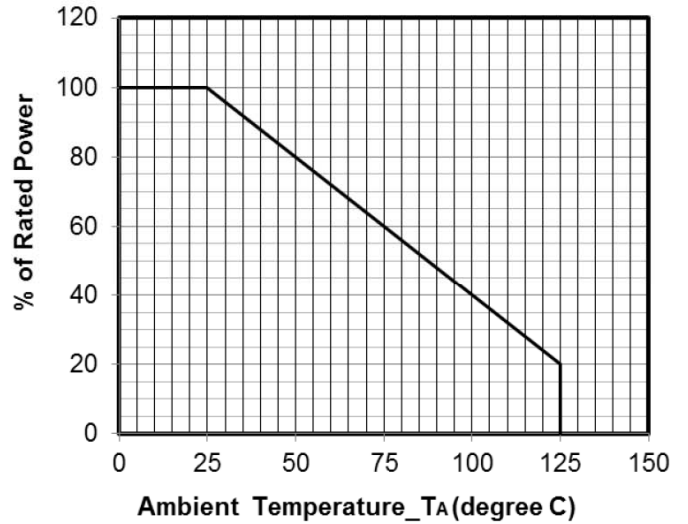
Junction Capacitance vs. Reverse Voltage



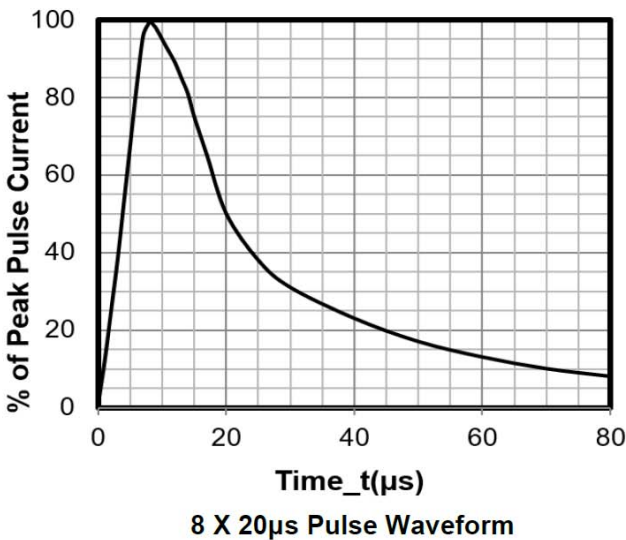
Peak Pulse Power vs. Pulse Time



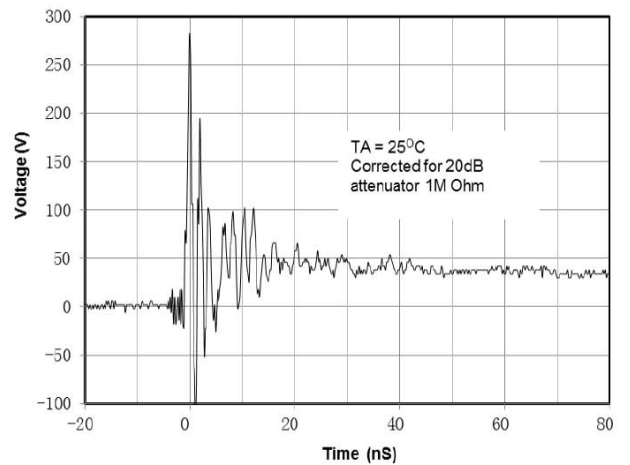
Clamping Voltage vs. Peak Pulse Current



Power Derating Curve



8 X 20 μs Pulse Waveform

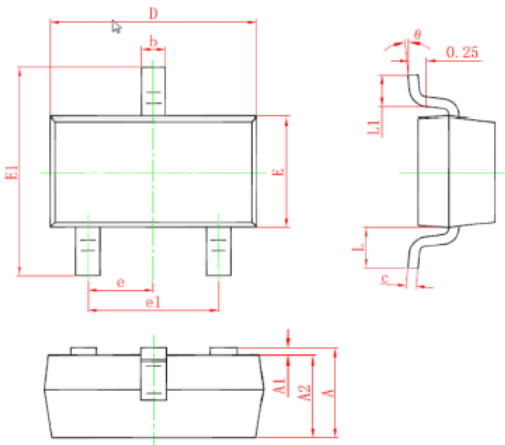


ESD Clamping Voltage
8 kV Contact per IEC61000-4-2



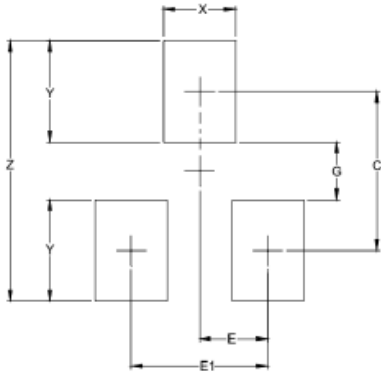
ASM712H

■ Outline Dimensions



SYM	DIMENSIONS					
	MILLIMETERS			INCHES		
	MIN	NOM	MAX	MIN	NOM	MAX
A	0.90	--	1.15	0.035	--	0.045
A1	0.00	--	0.10	0.000	--	0.004
A2	0.90	--	1.05	0.035	--	0.041
b	0.30	--	0.50	0.012	--	0.020
c	0.08	--	0.15	0.003	--	0.006
D	2.80	--	3.00	0.110	--	0.118
E	1.20	--	1.40	0.047	--	0.055
E1	2.25	--	2.55	0.089	--	0.100
e	0.95TYP			0.037TYP		
e1	1.80	--	2.00	0.071	--	0.079
L	0.55REF			0.022REF		
L1	0.30	--	0.50	0.012	--	0.020
θ	0°	--	8°	0°	--	8°

■ Soldering Footprint



SYM	DIMENSIONS	
	INCHES	MILLIMETERS
C	(.087)	(2.20)
E	.037	0.95
E1	.075	1.90
G	.031	0.80
X	.039	1.00
Y	.055	1.40
Z	.141	3.60



ASM712H

Disclaimer

The information presented in this document is for reference only. Yangzhou Yangjie Electronic Technology Co., Ltd. reserves the right to make changes without notice for the specification of the products displayed herein to improve reliability, function or design or otherwise.

The product listed herein is designed to be used with ordinary electronic equipment or devices, and not designed to be used with equipment or devices which require high level of reliability and the malfunction of which would directly endanger human life (such as medical instruments, transportation equipment, aerospace machinery, nuclear-reactor controllers, fuel controllers and other safety devices), Yangjie or anyone on its behalf, assumes no responsibility or liability for any damages resulting from such improper use of sale.

This publication supersedes & replaces all information previously supplied. For additional information, please visit our website [http:// www.21yangjie.com](http://www.21yangjie.com) , or consult your nearest Yangjie's sales office for further assistance.